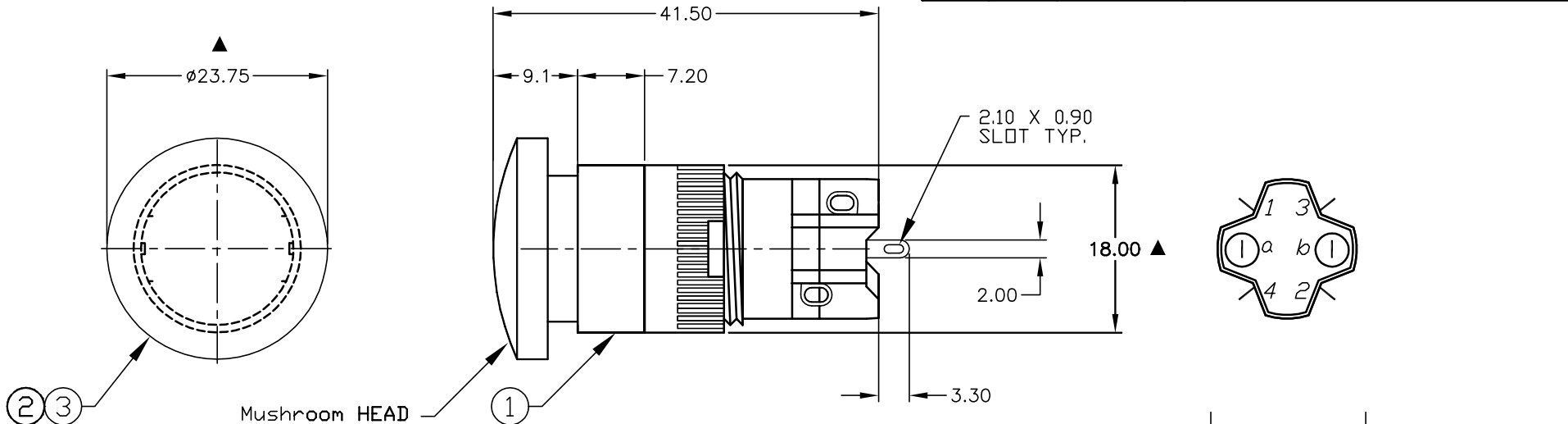


PARTS LIST			
ITEM	QTY.	PART NO.	PART DESCRIPTION
1	1	F040006	D16 EE R1 1
2	1	F050420	50-004-20 (RED LED BULB)
3	1	F051212	50-012-41 (TRANSPARENT RED LENS)

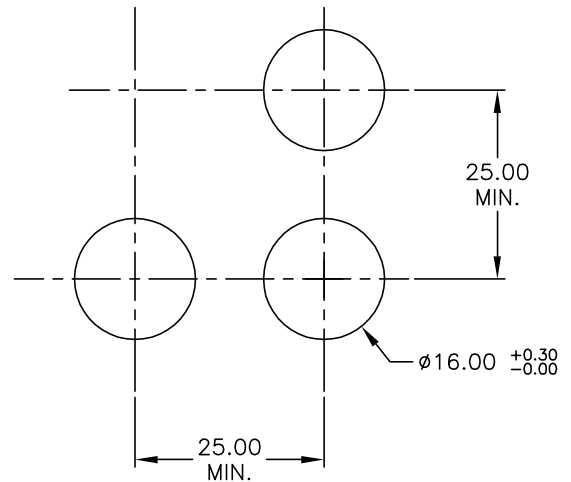


NOTES:

1. ALL DIMENSIONS IN MM
2. GENERAL TOLERANCE: X.X=±0.4  
X.XX=±0.25
3. RATINGS: 5A @250V AC  
8A @125V AC  
UL, VDE, CSA, Semko, Nemko, Demko, Fimko Approved
- ▲ 5. LAMP VOLTAGE: 110V AC (NEON BULB)
6. CONTACT MATERIAL:  
COPPER ALLOY W/Silver Plating
- ▲ 7. PUSHBUTTON: TRANSPARENT RED
8. ▲ DENOTES CRITICAL PARAMETER.

1 o | o 2  
3 o | o 4  
a-(L)-b (+)

SPST  
CONTACT CONFIGURATION



RECOMMENDED PANEL MOUNTING

SCALE 1:1

**E-SWITCH®**

TITLE				
D16EER1JREDRED				
SCALE	DATE	DR	DWG	REV
1.5:1	4/16/04	AR	XF0586P	A